

A-01, 02
ABSORBER
20" x 60'
250 PSIG/WP

AF-09
COALESCING
FILTER

CH-02
REFRIGERATION UNIT
LEAN SELEXOL STREAM

P-07-4, 5
PUMP

S-02
SEPARATOR
10" x 7.0'
250 PSIG/WP

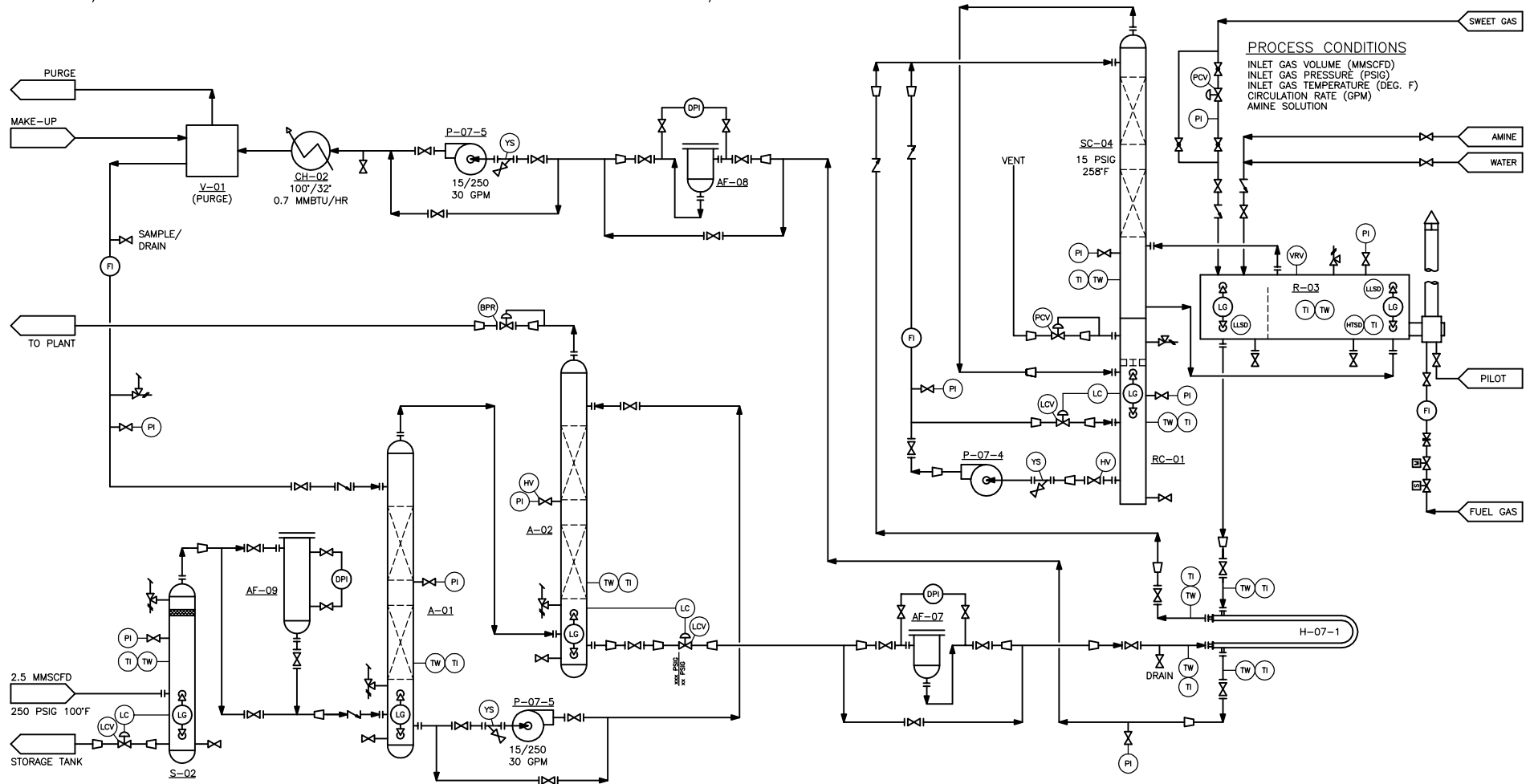
RC-01
REFLUX
CONDENSER

SC-04
STILL COLUMN

R-03
REBOILER

V-01
PURGE TANK
250 PSIG/WP

AF-07, 08
SOCK FILTER



DATE:	05/07/09	PROJECT:	BIODIGESTER GAS PROC. UNIT
SCALE:	NTS	LOCATION:	ANYWHERE, USA
PLOT SCALE:	1 = 2"	DRAWING NAME:	PRELIMINARY PIPING & INSTR. DIAGRAM
DRAWN BY:	GRB	DRAWING NO.:	PID-1102-C
APPROVED:		SHT. X OF X	



ED TUCKER (217) 773-3622